

Hair, Sediment & Solids Interceptors

SI-750 & SI-750-TO Hair Interceptor

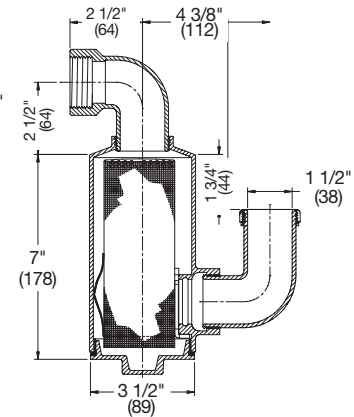
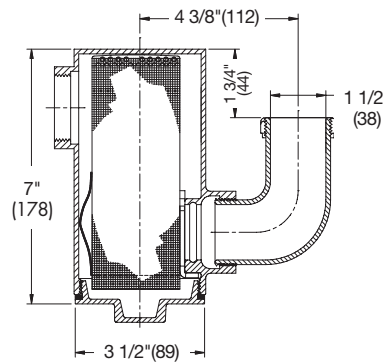
Model Number	Description	List Price
SI-750	Cast Iron, Side Outlet	\$821.00
SI-750-TO	Chrome Plated, Top Outlet	1,968.00



Cast Iron

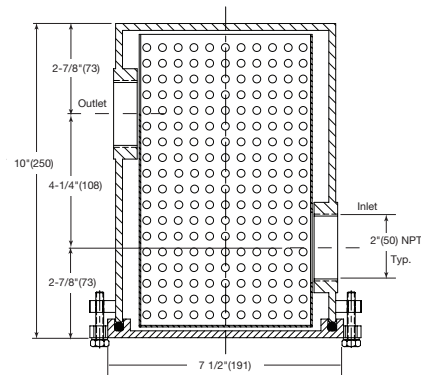


Chrome Plated



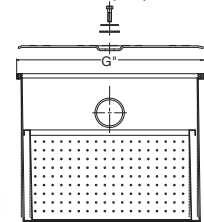
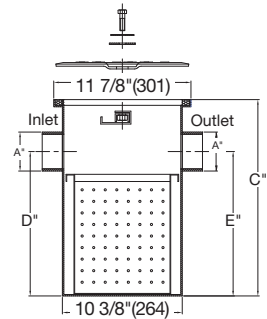
SI-762 Bottom Access Hair, Plaster, & Sediment Interceptor

Model Number	Description	Weight Lbs.	List Price
SI-762	Epoxy Coated Steel	22	\$1,233.50



SI-770 Solids Interceptor

Interceptor Model Number	List Price	Inlet/Outlet Size	Flow Rate GPM	Solids Cap. Cubic Ft.	C	D/E	G	Weight Lbs.
SI-770-100	\$2,434.50	2	4	0.20	10"	7-1/4"	11-3/4"	13.87
SI-770-200	2,476.50	2	7	0.29	11-1/8"	8-1/8"	13-3/4"	16.75
SI-770-300	2,564.50	2	10	0.33	11-3/4"	8-1/4"	15-7/8"	18.98
SI-770-400	2,745.00	3	15	0.38	13-3/8"	9-3/8"	18-5/8"	23.89
SI-770-500	2,906.50	3	20	0.66	15"	11-3/4"	19-1/8"	26.34
SI-770-600	3,137.50	3	25	0.79	17"	12-1/2"	21-3/4"	32.19
SI-770-700	3,329.00	3	35	1.17	18-3/4"	14-1/4"	24-3/8"	36.59
SI-770-800	3,570.00	4	50	1.35	21-1/8"	16"	24-3/8"	39.89
SI-770-900	3,860.00	4	75	1.61	22-3/4"	18-1/2"	24-3/8"	39.00
SI-770-1000	3,959.00	4	100	1.80	27"	23"	24-3/8"	42.00



Options for SI-770

Suffix	Description	List Price
-E	Extension Up to 12"	\$3,967.00
	Extension Over 12", add per inch	279.50
-O	Inlet & Outlet Other Than Standard Size	609.50
-SS	All Stainless Steel	P.O.A.
-THD	Threaded Connections	No Add

